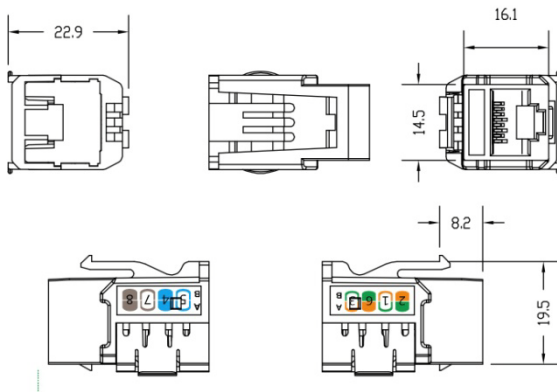


UTP Cat.6/6A Keystone Jack 90 Degree



Standard:

C6/C6A perlink: conform to AN-SI/TIA/EIA-568 b.2-1.

Electrical:

- Voltage rating: 125 VAC RMS;
- Current rating: 1.5 AMP;
- Contact resistance: 20 Million HMS max;
- Insulation resistance: 100 MEGOHMS min. @ 500 VDC;
- Dielectric strength: 750 VAC RMS 60 Hz, 1 min.;

Mechanical:

- Housing Material: PC
- INSERT MATERIAL: Flame retardant PC110
- PCB MATERIAL:FR-4 T=1.2MM
- Contact MATERIAL: phosphor bronze stamp pin T=0.35MM
- IDC Material: phosphor bronze T=0.5mm with Plating
- RJ 45 Jack life: 750 cycles min.;
- IDC life: 200 times min.;
- Wire: AWG 22-24
TIA Cat. 6A perm Link test: worst pair next margin ≥ 7.5 dB
- Retentiveness of insertion structure: 50N 60 ± 5 S.

Environment of Adaptations:

- Storage: $-40^{\circ} \sim 85^{\circ}$
- Operation: $-10^{\circ} \sim 70^{\circ}$

For More Information:

Email: sales@telexmax.cn

www.telexmax.cn