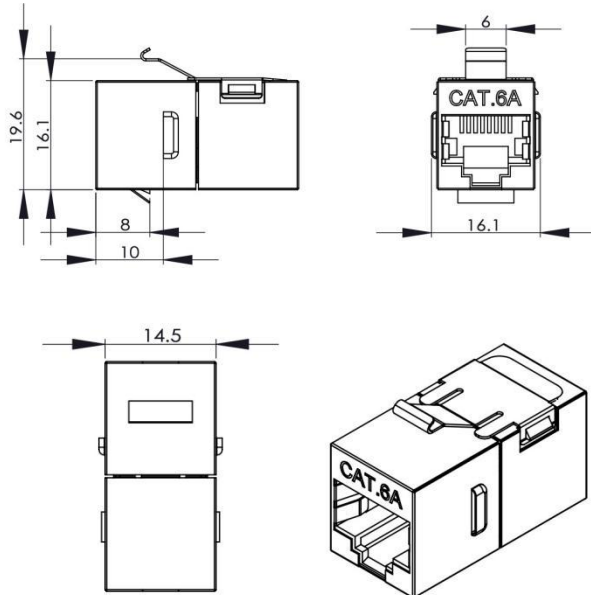


CAT.6A STP RJ45 Inline Coupler



Standard

ISO/IEC11801,TIA/EIA568

Notes

- RJ45 contact pins gold-plating: 3u"-50u";
- Contact resistance: $\leq 2.5\text{m}\Omega$
- Insulation resistance: $\geq 1000\text{m}\Omega$
- DC/AC Volt Endurance: DC 1000V/AC 700V 1min.
- Plug Insertion Life: ≥ 750 Cycles
- Adopting unique spring arrangement structure, good contact reliability and stability, flexible and convenient to use.

For More Information:

Email: sales@telexmax.cn

www.telexmax.cn