

Cat.5E/6/6A/7/8 180° Zinc Alloy FTP Keystone Jack Mini Toolless Up-Down Type



Electrical:

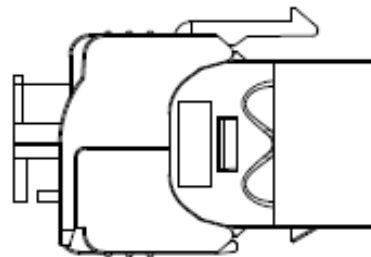
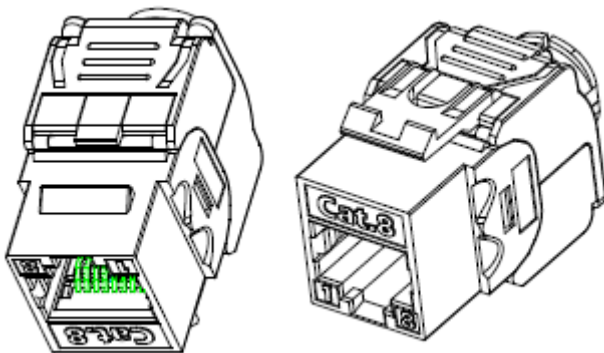
- Voltage rating: 125 VAC RMS;
- Current rating: 1.5 AMP;
- Contact resistance: 100 Million HMS max;
- Insulation resistance: 1000 MEGOHMS min. @ 500 VDC;
- Dielectric strength: 750 VAC RMS 60 Hz, 1 min.;

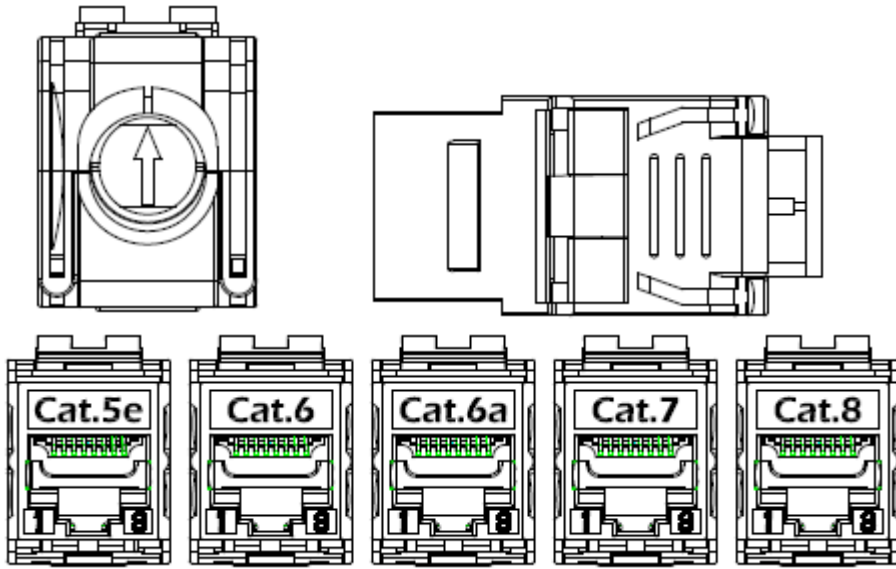
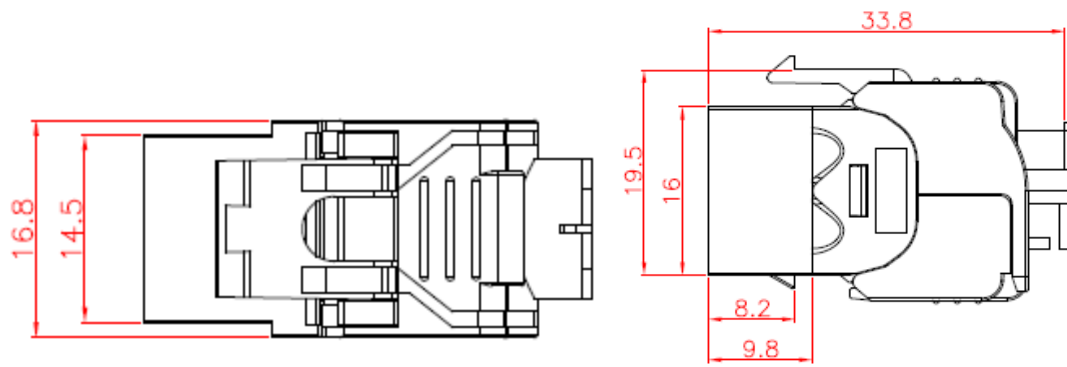
Environment of Adaptations:

- Storage: -40° ~ 70°
- Operation: -10° ~ 60°
- Mates with modular plug conforming to FCC part 68, subpart F

Mechanical:

- Housing Material: Zinc Alloy;
- Insert Material: Flame Retardant PC;
- PCB Material: FR-4;
- Contact Material: phosphor bronze Stamp Pin T =0.35mm;
- IDC Contact Material: phosphor bronze T =0.50mm with tin plating;
- RJ 45 Jack life: 750 times Min.;
- IDC life: 200 times min.;
- Wire contact compatibility: accommodates AWG 22-24;
- Retentiveness of insertion structure: 50N 60±5s.





For More Information:

Email: sales@telex.cn

www.telex.cn

www.telexcable.com