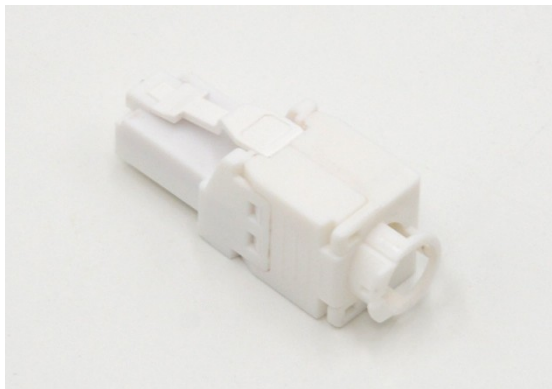
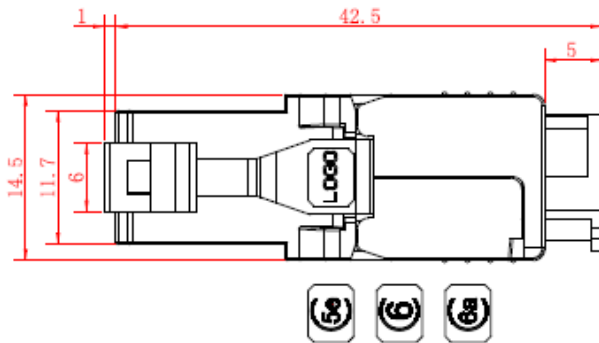


Cat.5E/6/6A UTP RJ45 Modular Connector Toolless Type



Environment of Adaptations:

- Storage: $-40^{\circ} \sim 75^{\circ}$
- Operation: $-20^{\circ} \sim 75^{\circ}$
- Operating Humidity: 10% ~ 90%RH
- Mates with modular plug conforming to FCC part 68, subpart F
- Standards: ANSI/TIA 568.2-D, YD/T 926.3-2009, ISO/IEC11801



Physicals

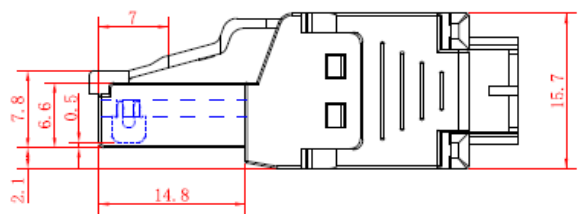
- Plastic parts: PC UL 94V-0;
- Pin phosphor bronze gold over nickel plating, golden plated 3U";
- PCB: FR-4 UL94V-0;
- IDC Housing: PC UL94V-0;
- IDC CONDUCTOR: Phosphor bronze C5191 over nickel plating.

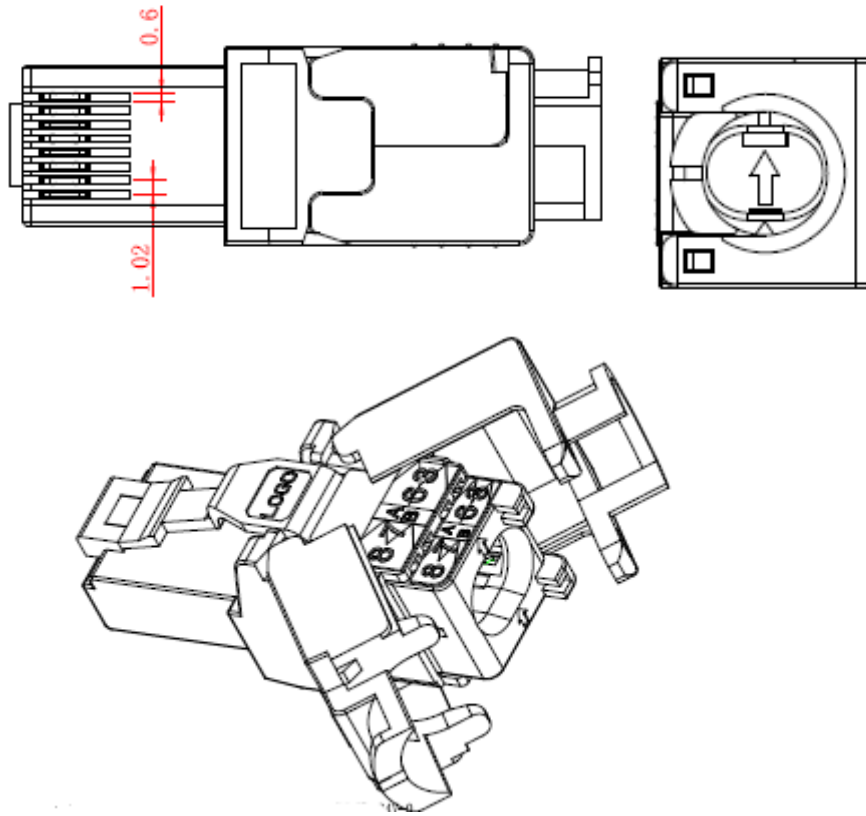
Electrical:

- DC Resistance: 0.1Ω ;
- DC/AC Volt Endurance: 1000V/AC 750V 1Min;
- Voltage rating: 125 VAC RMS;
- Current rating: 1.5 AMP;
- Contact resistance: $\leq 20\text{ M}\Omega$;
- Insulation resistance: $500\text{ M}\Omega$ 100V/DC/1Min;
- Dielectric strength: 750 VAC RMS 60 Hz, 1 min.;

Mechanical:

- Plug insertion life: 750 times Min.;
- Durability: 200 termination cycles min.;
- Plug insertion force: $\leq 20\text{N}$
- Plug retention force: $\geq 20\text{N}$
- Wire contact compatibility: accommodates AWG 22-24 Solid;
- Retentiveness of insertion structure: 50N 60 \pm 5s.





For More Information:

Email: sales@telex.cn

www.telex.cn

www.telexcable.com