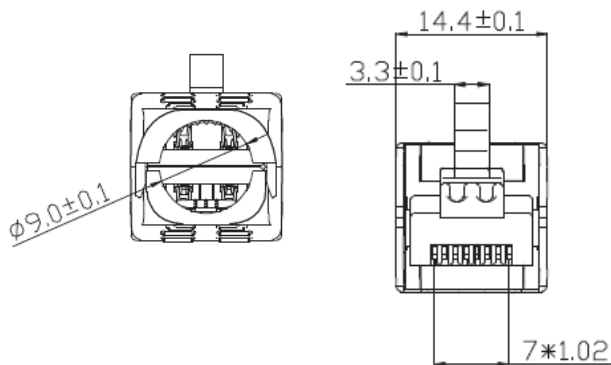
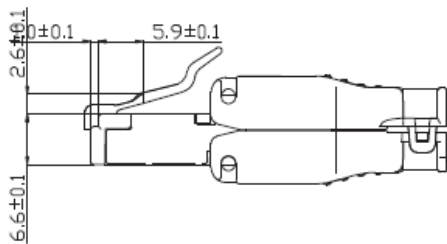
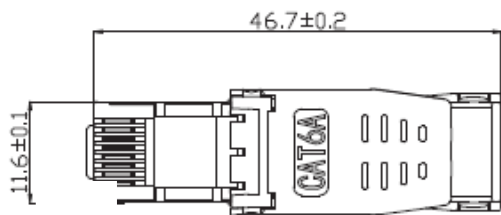


RJ45 Cat.6A FTP Toolless Connector



Type:

- RJ45 Cat.6A FTP toolless connector
- Color: Silver

Cable Matched:

- Solid and stranded
- 22AWG/23AWG/24AWG;

Electrical:

- Contact resistance: $\leq 20\text{m OHM}$;
- Insulation resistance: $\geq 500\text{m OHM @100 V DC}$;
- Withstand voltage: DC1000V AC700V RMS 60HZ, 1MIN;
- CAT.6A Permanent link: conform to ANSI/TIA/EIA 568B.2-10

Environmental:

- Storage: $-40^{\circ} \sim 70^{\circ}$
- Operation: $-10^{\circ} \sim 60^{\circ}$

Mechanical:

- Shielded material: Zinc alloy;
- Plastic material: new PC;
- Gold Pins: phosphor bronze, gold plating 3μ "
- Terminal pins: phosphor bronze, Zinc plating;
- RJ45 contact life: 750 times min.;
- IDC terminal life: 250 times min..

For More Information:

Email: sales@telexmax.cn

www.telexmax.cn