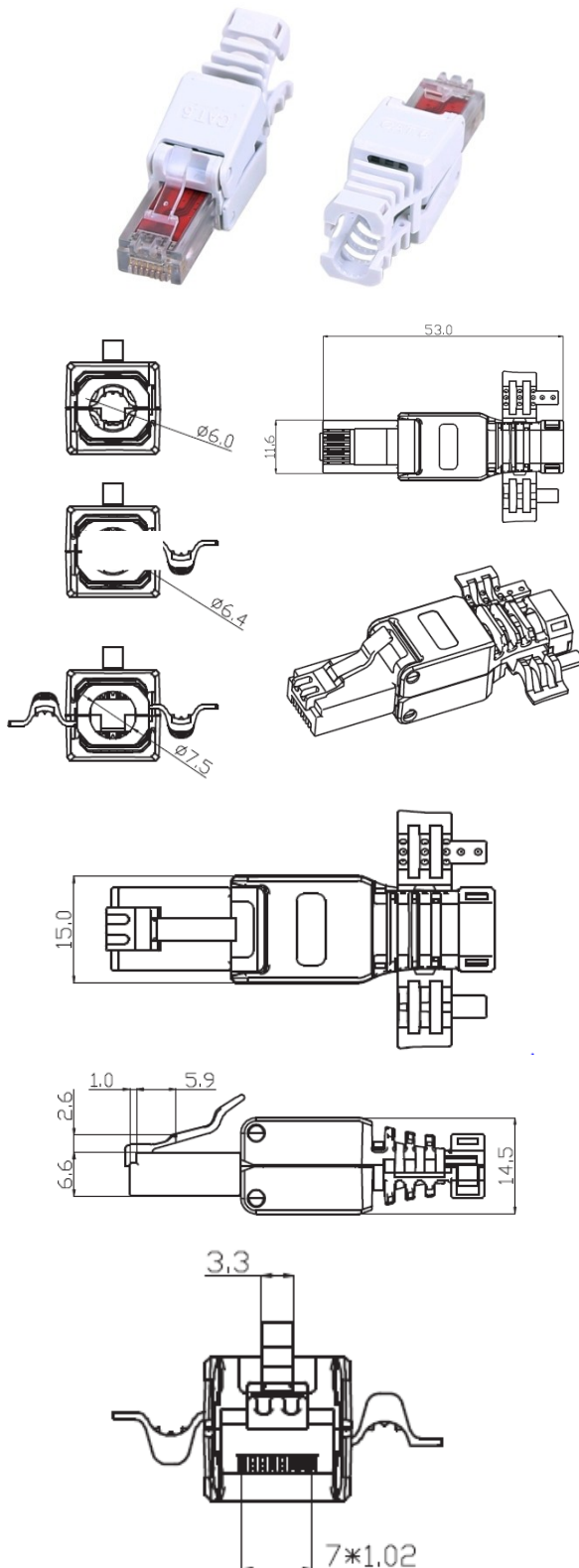


## RJ45 Cat.6A UTP Toolless Connector



### Type:

- RJ45 Cat.6A unshielded toolless connector
- Color: white

### Cable Matched:

- Solid and stranded
- 22AWG/23AWG/24AWG;

### Electrical:

- Contact resistance:  $\leq 20\text{m OHM}$ ;
- Insulation resistance:  $\geq 500\text{m OHM @100 V DC}$ ;
- Withstand voltage: DC1000V AC700V RMS 60HZ, 1MIN;
- CAT.6A Permanent link: conform to AN-SI/TIA/EIA 5688B.2-10

### Environmental:

- Storage:  $-40^{\circ} \sim 70^{\circ}$
- Operation:  $-10^{\circ} \sim 60^{\circ}$

### Mechanical:

- Plastic material: new PC;
- Terminal pins: phosphor bronze, Zinc plating;
- RJ45 contact life: 750 times min;
- IDC terminal life: 250 times min.

### For More Information:

Email: [sales@telexmax.cn](mailto:sales@telexmax.cn)

[www.telexmax.cn](http://www.telexmax.cn)