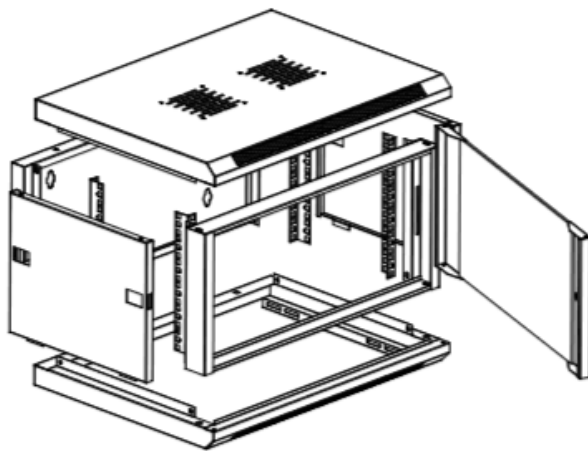


# Wall Mount Network Cabinet



## Standard:

Comply with ANS/EIA RS-310-D, IEC 297-2, DIN41497 Part 1, DIN41494 Part 7, GB/T3047.2-92 Standard.

## Features:

- Steel frame, simply unassembled structure with precise craftsmanship;
- Single section, compatible with 19" standard equipments;
- Tempered glass front door with over 180 turning degree;
- Removable side panel with latch, easy to install and maintain, optional lock;
- Cable entry on the top cover and bottom panel with knock-out plate;
- L-shaped mounting profile, easy to adjustable on the mounting rail;
- Fan cutout on the top cover, easy to install fan;
- 4 installing holes on the rear panel, easy to fix on the wall;
- Flat packing, save the shipping space, easy to transport.

## Material:

- SPCC quality cold rolled steel;
- Thickness: 2.0mm - 1.5mm - 1.2mm.

## Degree of Protection

IP20

## Loading Capacity

Static loading: 80kgs

## Surface Finish:

Degreasing, picking, phosphating, Powder Coated

## For More Information:

Email: [sales@telex.cn](mailto:sales@telex.cn)

[www.telex.cn](http://www.telex.cn)

Capacity	600( W)*450(D) mm			600(W)*600(D) mm		
	Fan	PDU	Shelf	Fan	PDU	Shelf
4U	1	1	1	2	1	1
6U	1	1	1	2	1	1
9U	1	1	1	2	1	1
12U	1	1	1	2	1	1
15U	1	1	1	2	1	1
18U	1	1	1	2	1	1